

Ballast-Loading machine

TEREX|SCHAEFF **ITC 312 VL2**

INFO
- 2005 -



Rail underground renewal in the station area of Sirnach in Switzerland

Quick loading in limited space



The ballast loading machine Schaeff model ITC 312 VL2 with jointed boom in loading position



High loading capacity, thanks to twin speed conveyor



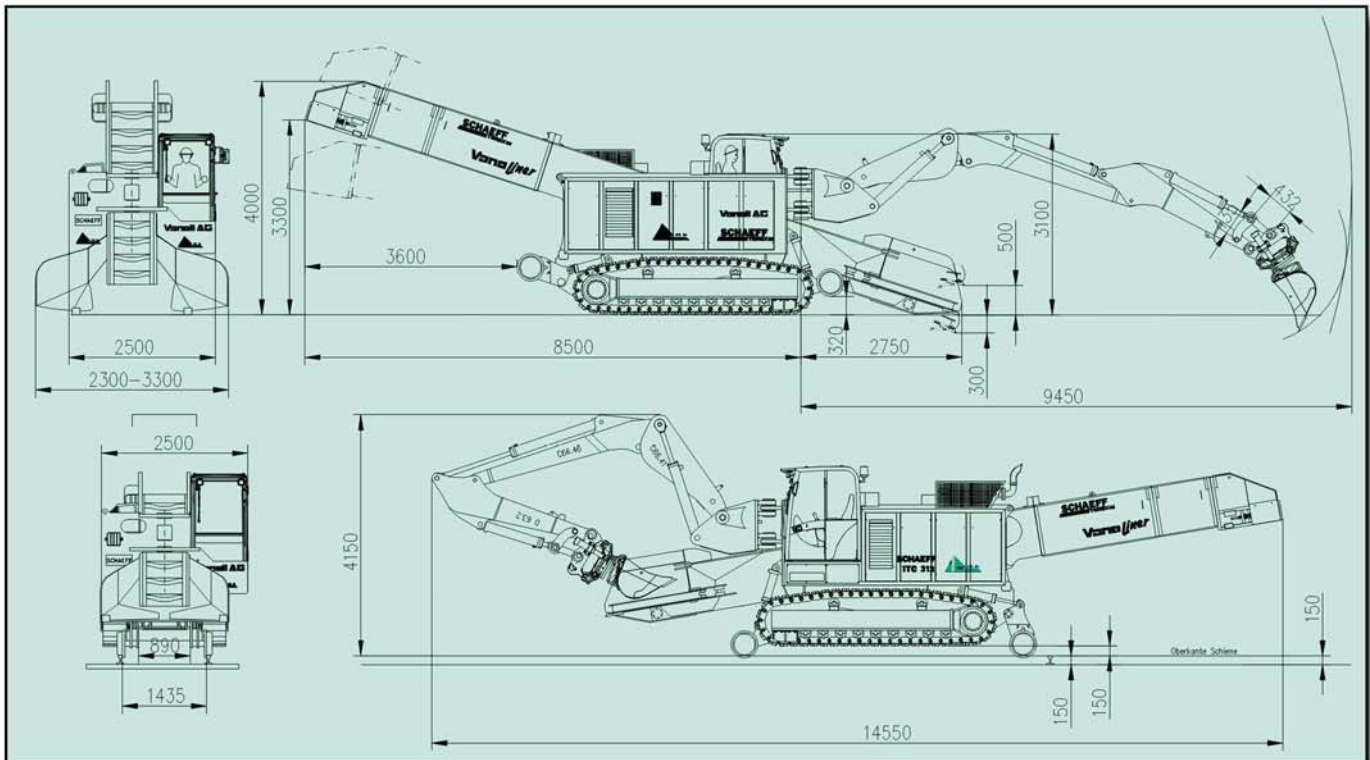
INTER TECHNO COMMERCE SA

122, Rue de la Fusion Fax: +41-277 222 185
CH - 1920 - MARTIGNY Tf: +41-277 222 191
<http://www.itcsa.com> e-mail: info@itcsa.com



MAIN DATA

Base Machine: Schaeff type	ITC	312
Maximum chassis width:	mm	2500
Apron throat width	mm	770
Diesel Engine Deutz	Typ	
BF6M1013		
Power output	kW	142
Driving speed:	km/h	0-3,6
Conveyor chain speed:	m/s	0.5 - 1.1
Loading capacity, up to	m ³ /min	5
Specific ground pressure:	kp/cm ²	1.0
Traction power:	kN	280
Weight	t	30



Reduced space requirement thanks to onboard conveyor



Accurate working thanks to the Roto-Tilt device

Ballast-Loading machine TEREX|SCHAEFF **ITC 312 VL2**