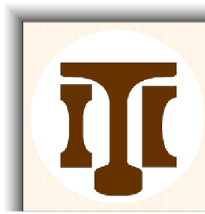


Tunnel Dump Truck



ITC

INTERTECHNO TUNNELLING-EQUIPMENT COMMERCIAL SA

ITC10'500 #110.124



Information

Tunnel articulated Dump Truck PAUS model ITC 10'500 with all wheel drive and reverse seat.

- Construction year 2011
- Diesel drive 3'200 h
- Optional:
 - Soot filter
 - Hydraulic circuit for mixer drive
 - Closed cab

Technical data ITC 10'500

Chassis

- Articulated welded frame.

Engine

- Type DEUTZ TCD 7.8 L06, turbo-charged with intercooled, 240 kW at 2.200 RPM
- Automatic engine cut off
- Dry air filter with TOP-Air pre-filter
- Exhaust emission acc. to Euro 3b, Tier 4A
- Self-regenerating soot filter

Electric system

- Battery main switch
- Operating voltage 24 V
- Generator 28 V, 55A
- Batteries 2x 12 V, 110 Ah
- Horn 125 dB (A)

Axles

- D81 Kessler planetary rigid axles, front axle swingingly ($\pm 10^\circ$) and rear fixed to the vehicle frame.

Drive line

- Dana Spicer hydrodynamic drive unit, full power shift CL8572
- 4 speed gear box transmission Type Clark R36441, all-wheel drive.
- Mining tires 16.00 R 25, Goodyear.

Brakes installation

- Hydraulic two-circuit pump-storage brake system, as service brake, with oil-immersed multiple-disc brakes, System Posi-Stop (negative brakes), hydraulic spring-loaded
- Parking brake effective on a disc brake of the drive flange.

Steering

- Hydraulic caster-wheel steering, two double effective steering cylinders
- Steering-wheel (double), steering angle $\pm 42^\circ$

Inside turn radius 4850 mm

Outside turn radius 7650 mm

Special Body Volume

- Rear-tipping skip,
- skip volume 9,5 m³ struck, 11 m³ heaped,
- two double-effective tipping cylinders

Speed, Loaded

	forwards	backwards
1. Gear	4 km/h	4 km/h
2. Gear	9 km/h	9 km/h
3. Gear	16 km/h	16 km/h
4. Gear	27 km/h	27 km/h
climbing ability	30 %	30%

Driver Stand

- Driver's stand with roll-over bracket and ROPS/FOPS tested protection roof
- Protective grid bin-sided
- Comfortable driver's seat, 180° rotating for both driving directions, with safety-belt
- 2 outside rear view mirrors
- Ergonomic driving stand
- For both driving directions: wheel-steering, brake pedal, gas pedal, gear shift lever, brake pressure manometer, converter oil pressure, converter oil temperature.

Weight

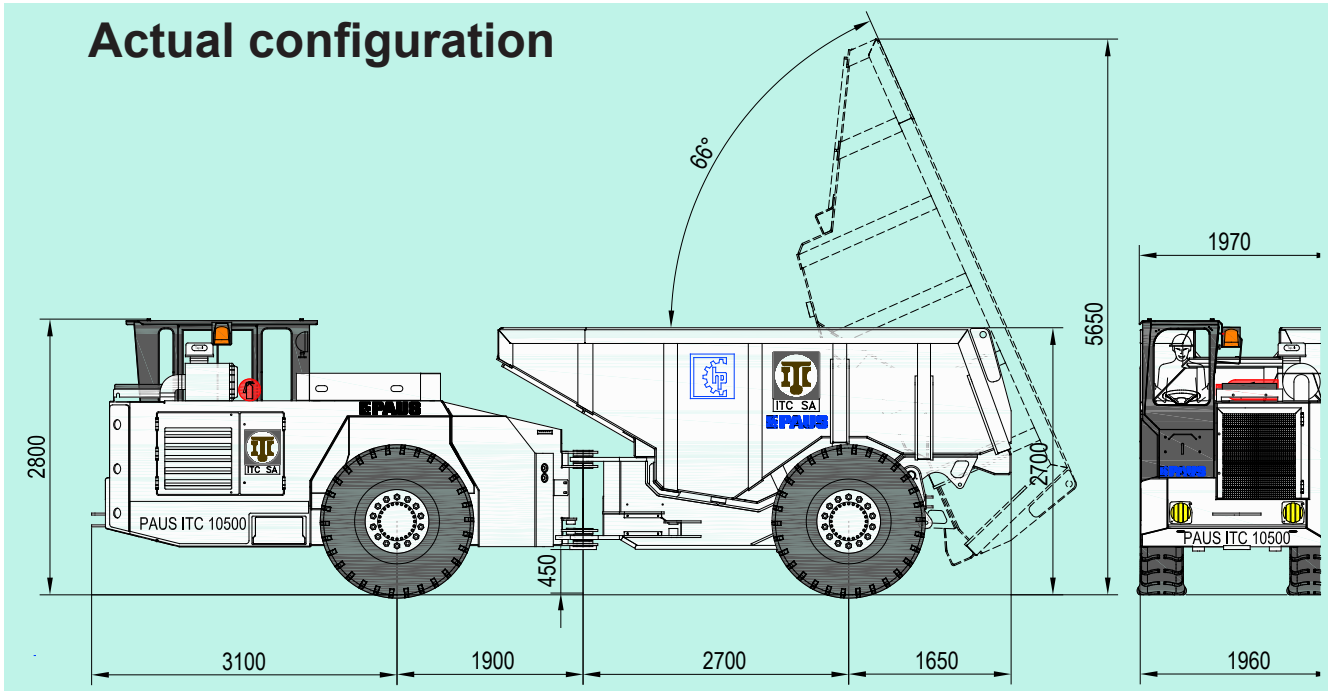
empty weight:	18,0 to
perm. total weight:	38,0 to
payload:	20,0 to
axle load front:	18,0 to
axle load rear:	20,0 to

Interchangeable superstructures

- Rock body
- Concrete mixer
- Service platform with/without crane
- Areal basket, etc

Further details of attachments and accessories available upon request.

Actual configuration



ITC
 INTERTECHNO TUNNELLING-
 EQUIPMENT COMMERCIAL SA



PAUS
...the people who care

ITC- Intertechno Tunnelling-Equipment Commercial SA · 122, rue de la Fusion · CH-1920 Martigny · Tel +41-277 222 191 · Fax +41-277 222 185
 Hermann Paus Maschinenfabrik GmbH · Siemensstr. 1-9 · D-48488 Emsbüren · Tel +49-5903 707 0 · Fax +49-5903 707 33
 Internet: <http://www.itcsa.com> - email: info@itcsa.com & www.paus.de - mail@paus.de