

# Pipeline Tunnel Prisnig, (IT)

Tunnel for the 48 « Gas pipeline from Russia to Italy  
Section Los A, Malborghetto to Bordana in the Tarvis  
Community, length 2585 m, excavation section 5.8 m.

NEWS  
-29-2006

Tunnel Excavator Terex | Schaeff **TE 200**

High force and compact power



The Tunnel excavator model TE 200 in the 37 m<sup>2</sup> cross-section, crown height 6 m



The Tunnel excavator model TE 200 climbing on the muck pile to excavate the crown



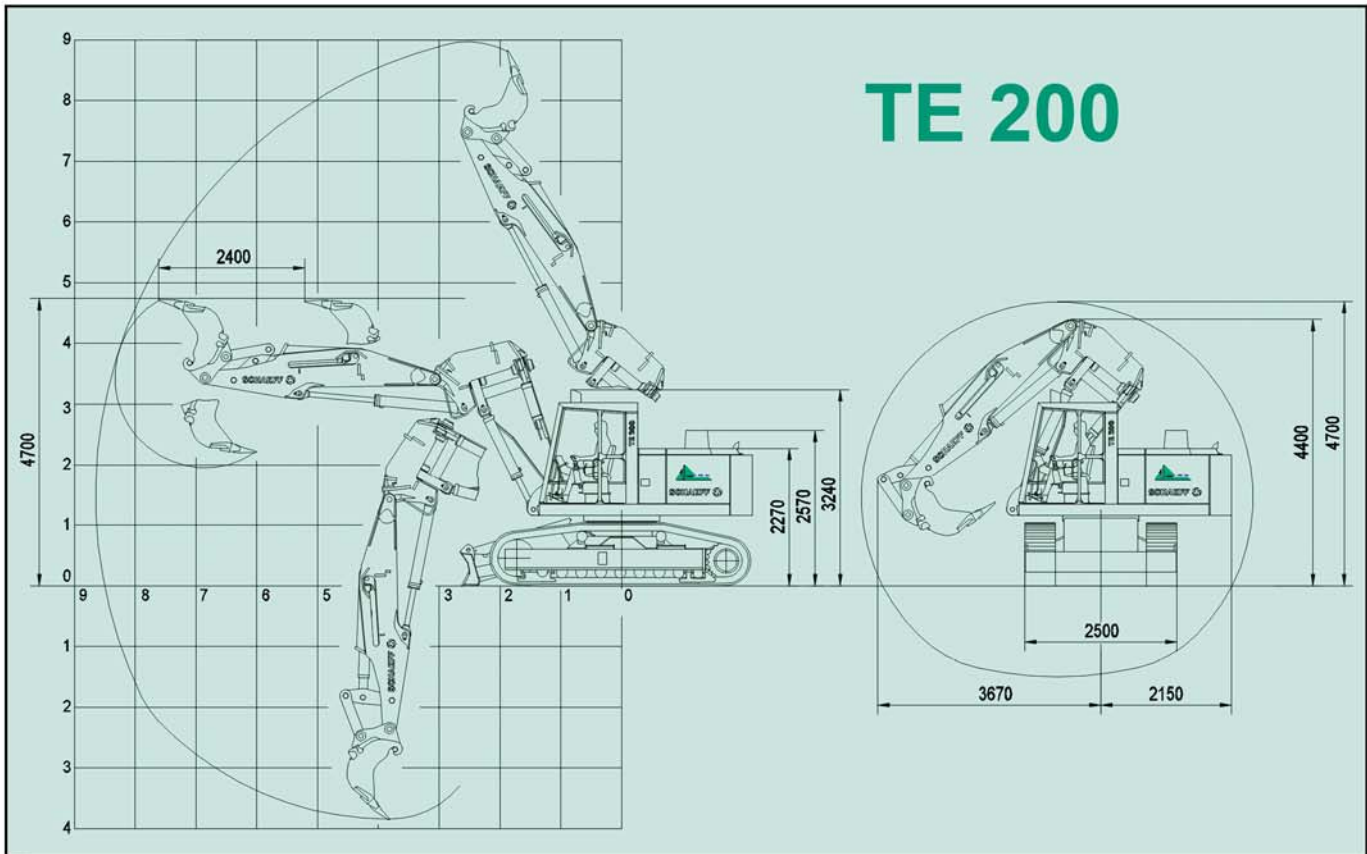
**INTER TECHNO COMMERCE SA**

122, Rue de la Fusion Fax: +41-277 222 185  
CH - 1920 - MARTIGNY Tf: +41-277 222 191  
<http://www.itcsa.com> e-mail: [info@itcsa.com](mailto:info@itcsa.com)



**SCHAEFF**

EG1.02.2006



**MAIN DATA**

Base Machine: Schaeff type	TE	200
Maximum chassis width:	mm	2500
Diesel Engine, Power	kW	113
Driving speed:	km/h	0-5
Loading capacity	m <sup>3</sup> /min	3-5
Specific ground pressure:	kp/cm <sup>2</sup>	1.0
Excavation force	kN	100
Breakout force	kN	140
Traction power:	kN	280
Weight	t	25



*The Tunnel Excavator excavating the central bench*

**STRABAG**



*The Tunnel Excavator excavating the lifters*



*The Tunnel Excavator on its way to the face*